



Order designation

Radar MultiView RMV | RMV-G2

Intelligent measuring radar, which uses modulation processes to generate a total of five measurement data in order to perfectly control the opening phase (time and duration of opening) of automatic gates as required and in an energy-saving manner.

Art.-No. 10001337

Features

- Large detection area
- Opening impulse is available as a semiconductor
- The opening time and duration of the gate are determined by the opening impulse
- Cross traffic and parallel traffic suppression
- Energy savings also for existing systems
- Classification of persons and vehicles
- Parameterization via WEB interface and USB

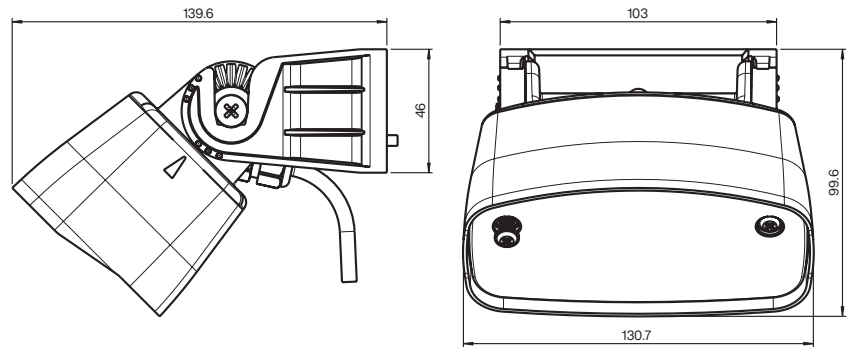
Applications

- Ideal for retrofit business
- Simple connection concept

Approvals and certificates

- 2014/53/EU: This device may be operated in all countries of the European Union. In other countries, the applicable national regulations must be applied.

Dimensions



All dimensions in mm; Dimensions when installed

Technical Data

General Specifications	
Function principle	Measuring Radar with 3 operating ranges: Sensing range: determined by the mounting height Activation area: adjustable to application via software parameters Close area: adjustable to application via software parameters
Classification	Persons and vehicles
Assembly positions	Above the gate, in the middle, left or right; integrated mounting aid with IMU for all 3 spatial angles
Mounting height	Min. 2 m; max. 10 m
Detection speed	Min. 0.1 m/s, max. 8.0 m/s
Setting angle	Vertical: -90° ... +90°
Operating frequencies	24.150 GHz; can be switched to 24.050 GHz and 24.250 GHz; enables the operation of 3 radar units mounted close to each other
Radaröffnungswinkel	34° x 80°
Minimum sensing area Width x depth	f (H, α) indication via Interface
Cross-traffic suppression	Adjustable: on (100%, no triggering), middle (50%), off (0%)
Opening speed of the gate	Adjustable in [m/s]
Transmitter radiated power (EIRP)	< 20 dBm
Parameter setting	Via radio, WLAN (OTA), USB
Integrated temperature	°C / °F / °K, output via interface
Approvals and certificates	CE; UL
Indicators / Operating elements	
Function indicator	1 x LED (rgb) Brightness: adjustable Ready for operation: LED flashes green - 10 s Ready for operation: LED is off, does not light up Approach: LED flashes yellow Output set: LED lights up red Parameterization: LED lights up blue, data connection established Error display: LED lights up white, flashing pattern
Control elements	None
Electrical specifications	
Operating voltage	AC: 8 ... 35 V AC +/- 10% DC: 8 ... 45 V DC +/- 10%
Power consumption	< 2.5 W
Connections	
2x outputs plus extension	1 x 8 pin socket
Expansion slot	1 x internal connector

Technical Data

Connection cable set	
USB cable	2 m (not included in delivery)
cable, 8 pin plug	10 m (included in delivery)
Output	
Signal output 1	Solid-state relay
Switching voltage 1	Up to 60 VAC/VDC
Switching current 1	Max. 0.5 A
Holding time 1	Adjustable in [s]
Signal output 2	Solid-state relay
Switching voltage 2	Up to 60 VAC/VDC
Switching current 2	Max. 0.5 A
Holding time 2	Adjustable in [s]
Events	
	Events can be assigned to the outputs via parameter settings. Triggering in people; triggering for vehicles; triggering in combination; partial gate opening; fast opening; slow opening; counting of persons and/or vehicles; temperature control
Digital interface	
ESP-NOW	Short range protocol, max. 25 m
Ambient conditions	
Special features	Resistance against weather and vibrations
Operating temperature	-40 ... 80° C (-40 ... 176° F)
Storage temperature	-40 ... 80° C (-40 ... 176° F)
Relative humidity	Max. 90% non condensing
Mechanical specifications	
Degree of protection	IP67
Connection 1	8 pin socket
Housing	Polycarbonat (PC), anthrazit
Mass	650 g
Dimensions	131 mm x 73 mm x 136 mm
Parameter setting	
Method	All parameters can be set via WEB-Interface and USB
Operating ranges	Activation area: which is inside the sensing range and can be defined as a polygon with max. 8 points. Near area: which is also inside the sensing range and can be defined as well with max. 8 points. The close area focus the door to open in any case.

Connections

8-Pin connector, male (Relay/IO plug):

- 1 = AC/DC IN
- 2 = AC/DC IN
- 3 = Relay 1 (NO/NC)
- 4 = Relay 1 (NO/NC)
- 5 = Relay 2 (NO/NC)
- 6 = Relay 2 (NO/NC)
- 7 = Extension 1
- 8 = Extension 2

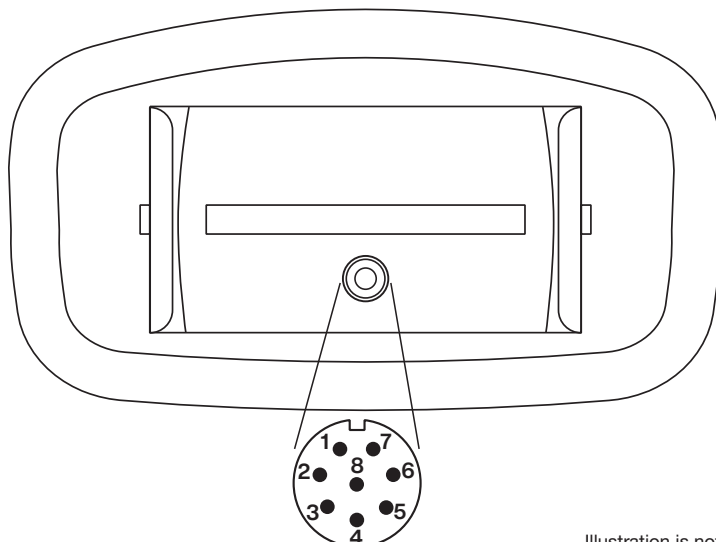


Illustration is not to scale