



Order designation

Radar MultiView RMV

Intelligent radar, which uses modulation processes to generate a total of five measurement data in order to perfectly control the opening phase (time and duration of opening) of automatic doors as required and in an energy-saving manner.

Art.-No. 10001219

Features

- Large detection area
- Opening impulse is available as a semiconductor output and as a relay changeover contact
- The opening time and duration of the automatic door (swing door) are determined by the opening impulse
- Cross traffic and parallel traffic suppression
- Energy savings also for existing systems

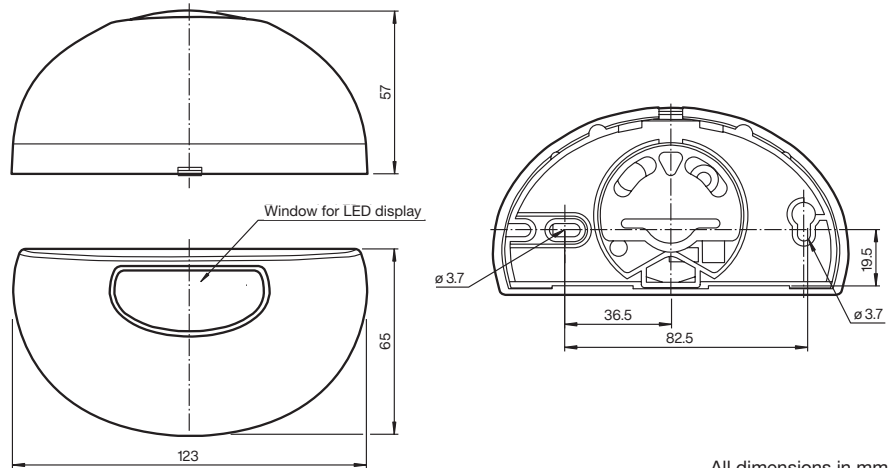
Applications

- Ideal for retrofit business
- Simple connection concept
- Plug and play

Approvals and certificates

- 2014/53/EU: This device may be operated in all countries of the European Union. In other countries, the applicable national regulations must be applied.

Dimensions



All dimensions in mm

Technical Data

General Specifications

Sensing range	approx. 10000 x 4500 mm (D x W) at 2200 mm mounting height and 30° inclination angle
Function principle	Microwave module
Detection speed	min. 0.1 m/s
Setting angle	vertical: 0 ... 90° in 7.5° steps
Operating frequency	24.050 GHz – 24.250GHz
Transmitter radiated power (EIRP)	< 20 dBm

Indicators / Operating means

Function indicator	LED (rgb)
Control elements	DIP switches and potentiometer

Electrical specifications

Operating voltage	12-24VDC +/-15%
Power consumption	< 2.5 W

Output

Signal output 1	PNP, shortcircuit-protected
Switching voltage 1	max. 27.5 V DC
Switching current 1	max. 100 mA
Signal output 2	Relay, changeover contact
Switching voltage 2	max. 30 V DC
Switching current 2	max. 1 A

Ambient conditions

Operating temperature	-4 ... 140 °F
Storage temperature	-22 ... 158 °F
Relative humidity	max. 90% non condensing

Mechanical specifications

Mounting height	max. 4000 mm
Degree of protection	IP54
Connection	screw terminals
Material	
Housing	ABS
Mass	120 g
Dimensions	123 mm x 65 mm x 57 mm