



Order designation

Reflector round LS

Art.-No. 10001309

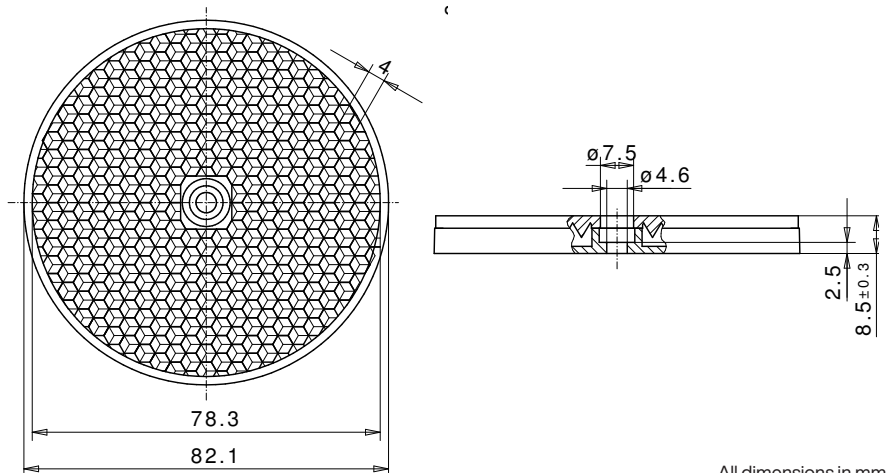
Features

- Achieves the highest reflection values and ranges
- Mounting holes for simple installation

Typical applications

- Best suited for applications with standard sensors

Dimensions



All dimensions in mm

Technical Data

General specifications

Construction type	Circular
Size (Ø x Height)	82.1x8.5 mm
Reflective surface (Ø)	78.3 mm
Tolerance	TG5 [DIN 16742]
Mounting	to be screwed
Chemical resistance	Standard
Protection class	IP68
Ambient temperature	-20°C to +65°C (-4°F to 149°F)
Surface	Standard
Optical structure	Hexagonal
Optical size	Standard triple SW4
Polarization rotation	Yes
Application	Standard sensors

Mechanical specifications

Material	PMMA/ABS clear
----------	----------------