

**Model Number**

Art.No. 90x-xxxxxxx

Capacitive Switch PNP Dynamic  
with Fixed cable  
E1-Licence

**Features**

- assembly on wall or behind glass
- switches by touching
- optical feedback by LED
- water- and oil-tight
- fixed cable
- individually configurable

**Type code**

Version:

- Plastic:

902-xxxx1001 green

902-xxxx1002 red

902-xxxx1003 black

902-xxxx1004 white

902-xxxx1005 blue

- Glass:

903-xxxx1006 Glass front

**Pictogram:**

90x-0101xxxx Without

90x-0102xxxx Hand

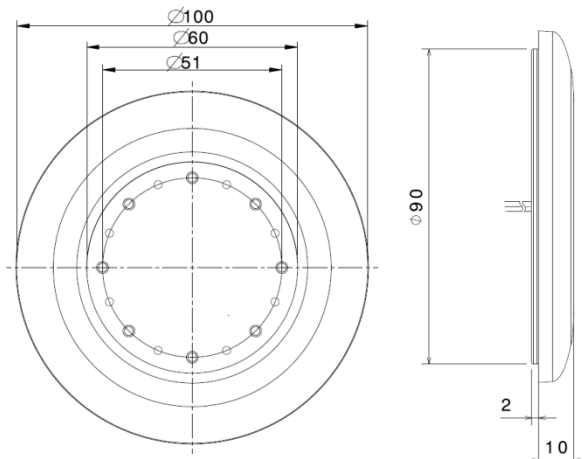
90x-0103xxxx Wheelchair

90x-0104xxxx Door

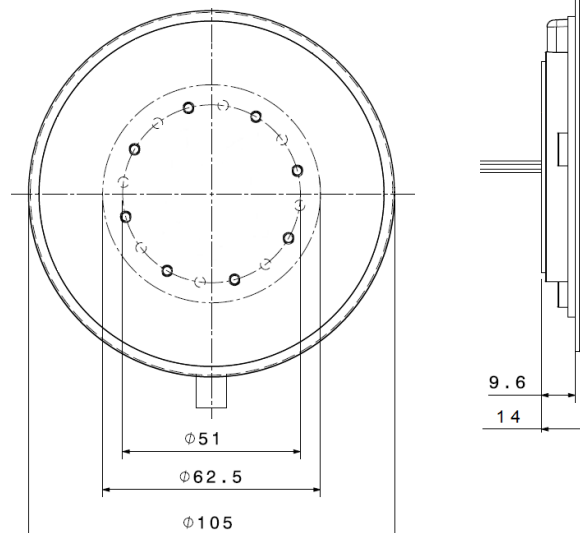
90x-0105xxxx Double arrow

**Dimensions**

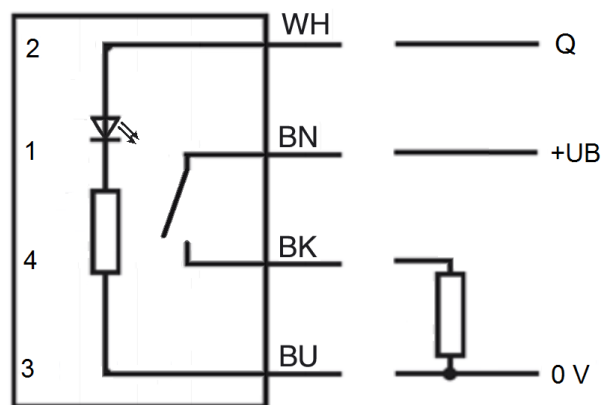
Plastic



Glass front



**Electrical connection**



**Technical data**

**Electrical specifications**

Operating voltage	12 ... 32 VDC
No-load supply current	< 30 mA
Signal output	PNP
Switching current	100 mA
Duration output signal	300 ms
Short-circuit protection	yes
Reverse-voltage protection	yes
Over-voltage protection	yes

**Ambiental conditions**

Ambient temperature	-30° ... 80°C
---------------------	---------------

**Mechanical specifications**

Protection degree	IP 69K at the front side
Connection	Fixed cable PUR (0.2 m)
Weight	0.125 kg

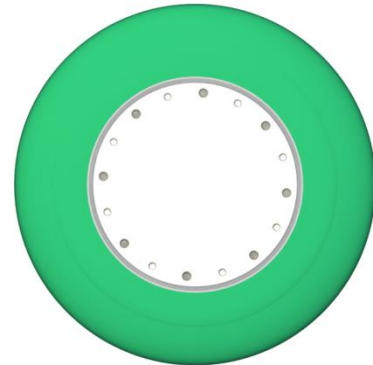
**Indicators/operating means**

LED green	8-piece operating indicator
LED green/red	8-piece indicator switching state

**Approvals and certificates**

E1-certification	
------------------	--

**Plastic**



**Glass**

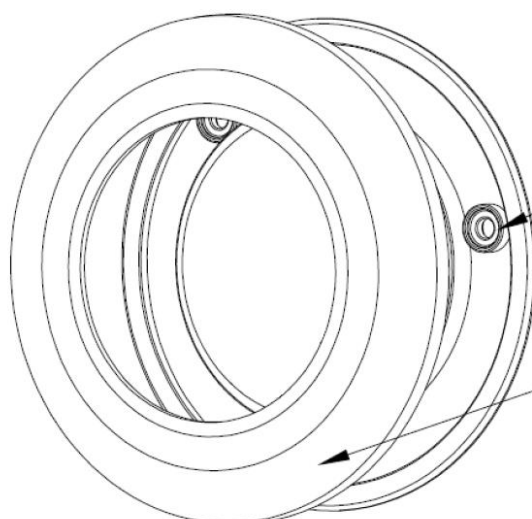


**Pictogram**

- Without
- Hand
- Wheelchair
- Door
- Double arrow

**Assembly**

Ausgabedatum:2016-08-03 Version:0.1



Assembly of the capacitive switch with three cylinder head bolts M4

Subsequent clip-in of the cover ring

Drilling jig for mounting:

